

EL-35J28I

5MP IR Eyeball Analog Camera



- 1/2.7" 5MP Sensor
- AHD/TVI/CVI/CVBS Video Output
- IR Effective Range 20~30m
- High Quality Motorized Lens 2.8~12mm
- Lightning Protection Up to 6KV
- IP67 Ingress Protection



System Overview

P series HD analog camera adopts advanced 4-in-1 ISP and 1/2.7" image sensor, featured by the excellent image details. It offers built-in UTC function to switch the signal output flexibly among the 4 popular technologies. It's ideal solution for SMB solution with high cost-performance ratio and simplicity for installation.

Functions

Long Distance Transmission

Powered by leading HD Videoloss technology, it supports up to 500m/800m transmission over RG59/RG6 coaxial cables separately.

Smart IR

P series is designed with smart IR function to avoid IR LED overexposure when object/people is getting closer to the camera in the night, ensuring the light intensity is changing proportionally with the distance between camera and objects.

Advanced 4-in-1 Technology

P series is built in with advanced 4-in-1 technology, it's equipped with UTC chipset on board which could support to adjust HD analog signal output flexibly, such as AHD/TVI/CVI/CVBS. It's the final solution for true plug-n-play to work with any brand of HD analog DVR seamlessly.

Protection

With precise mechanical and rugged casing design, it stands against water and dust with industrial IP67 rank.

Support $\pm 30\%$ input voltage tolerance, it could work safely in extreme unstable power condition.

With working temperature range from -30°C to $+60^{\circ}\text{C}$, it works well in a variety of harsh outdoor environments.

Technical Parameters

Camera

| | | | |
|-------------------|---|------------------|------------------|
| Model | EL-35J28I | Effective Pixels | 2592(H)* 1944(V) |
| Image Sensor | 1/2.7" 5MP Sensor | S/N Ratio | More than 52dB |
| Scanning System | Progressive | IR Distance | 20~30m |
| Min. Illumination | 0.01Lux/F1.4(color) 0 Lux with IR on | IR LED No | 2 |

Lens

| | | | |
|--------------|--------------------|-----|----------|
| Focal Length | Motorized 2.8~12mm | FOV | 46°~104° |
| Aperture | F1.4 | | |

Video

| | | | |
|--------------|------------------|-----------------|------------------|
| Video Output | AHD/TVI/CVI/CVBS | Defog | Supported |
| Resolution | 20fps@5MP | AGC | Supported |
| OSD Menu | Supported | Day/Night | Auto(ICR)/Manual |
| BLC | Supported | White Balance | Supported |
| WDR | 120dB | Noise Reduction | 2D/3D DNR |

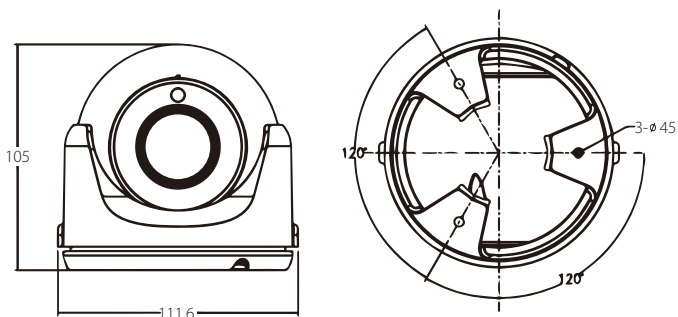
General

| | | | |
|---------------------|--------------------|--------------------|--------------|
| Working Temperature | -30 C ~+60 C | Ingress Protection | IP67 |
| Working Humidity | 10~90% | Dimensions | Φ111.6x105mm |
| Power Supply | DC12V±10% | Net Weight | 0.4KG |
| Power Consumption | < 3.2W(IR cut off) | Gross Weight | 0.64KG |

Ordering Information

| Type | Part Number | Description |
|------------|-------------|----------------------------------|
| 5MP Camera | EL-35J28I | 5MP Analog Camera(2.8-12mm Lens) |

Dimensions (mm)



More details